



## LIGHT SOURCE DATA

- 25W max G9 Halogen
- Non-dimmable
- Voltage: 240V

## DIMENSION DATA

- Height: 90mm Square: 70mm
- Weight: .7kg

## SPECIFICATION

- 1 Year year warranty
- Steel & glass
- Polished chrome plate & clear glass shade
- IP20
- Touch on off switch

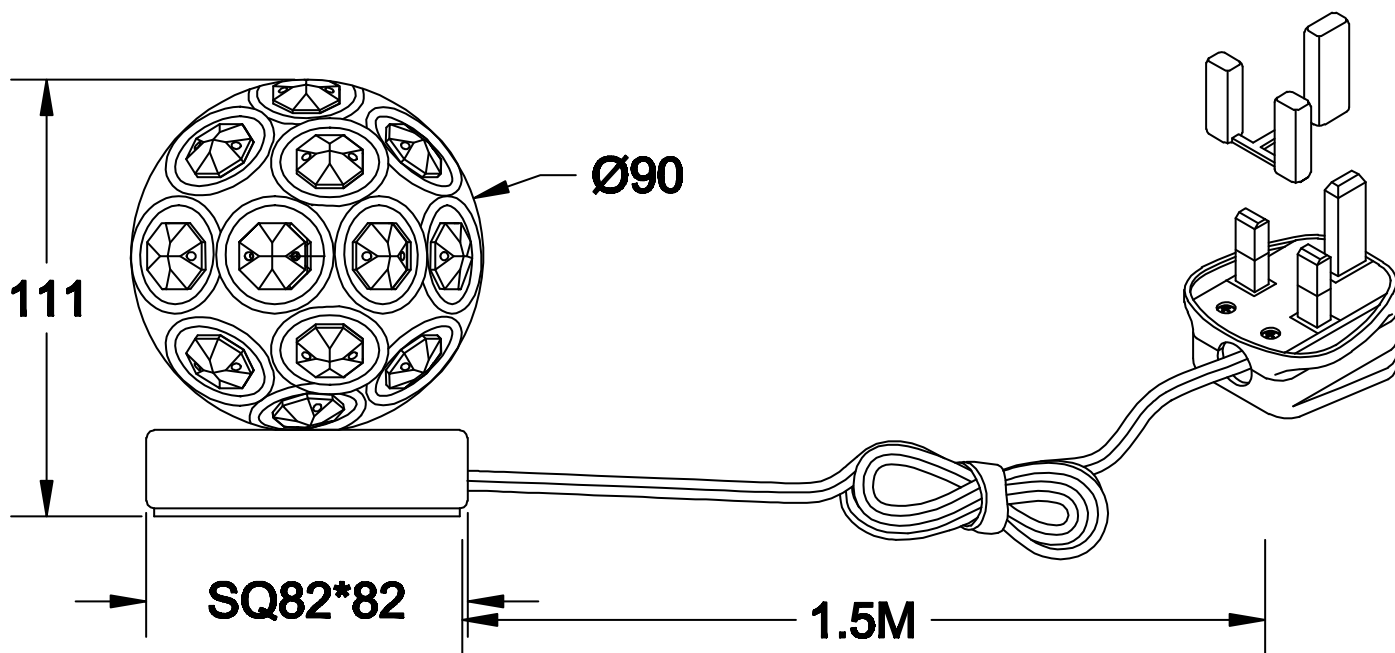
## CERTIFICATION



## CONTACT

W: [www.firstchoicelighting.co.uk](http://www.firstchoicelighting.co.uk)

E: [info@firstchoicelighting.co.uk](mailto:info@firstchoicelighting.co.uk)



## CERTIFICATION



## CONTACT

W: [www.firstchoicelighting.co.uk](http://www.firstchoicelighting.co.uk)

E: [info@firstchoicelighting.co.uk](mailto:info@firstchoicelighting.co.uk)