

ICE CUBE

FCL-57752

firstchoicelighting



LIGHT SOURCE DATA

- 25W max G9 Halogen
- Non-dimmable
- Voltage: 240V

DIMENSION DATA

- Height: 90mm Square: 70mm
- Weight: .68kg

SPECIFICATION

- 1 Year year warranty
- Steel & glass
- Polished chrome plate & clear glass shade
- IP20
- Touch on off switch

CERTIFICATION



CONTACT

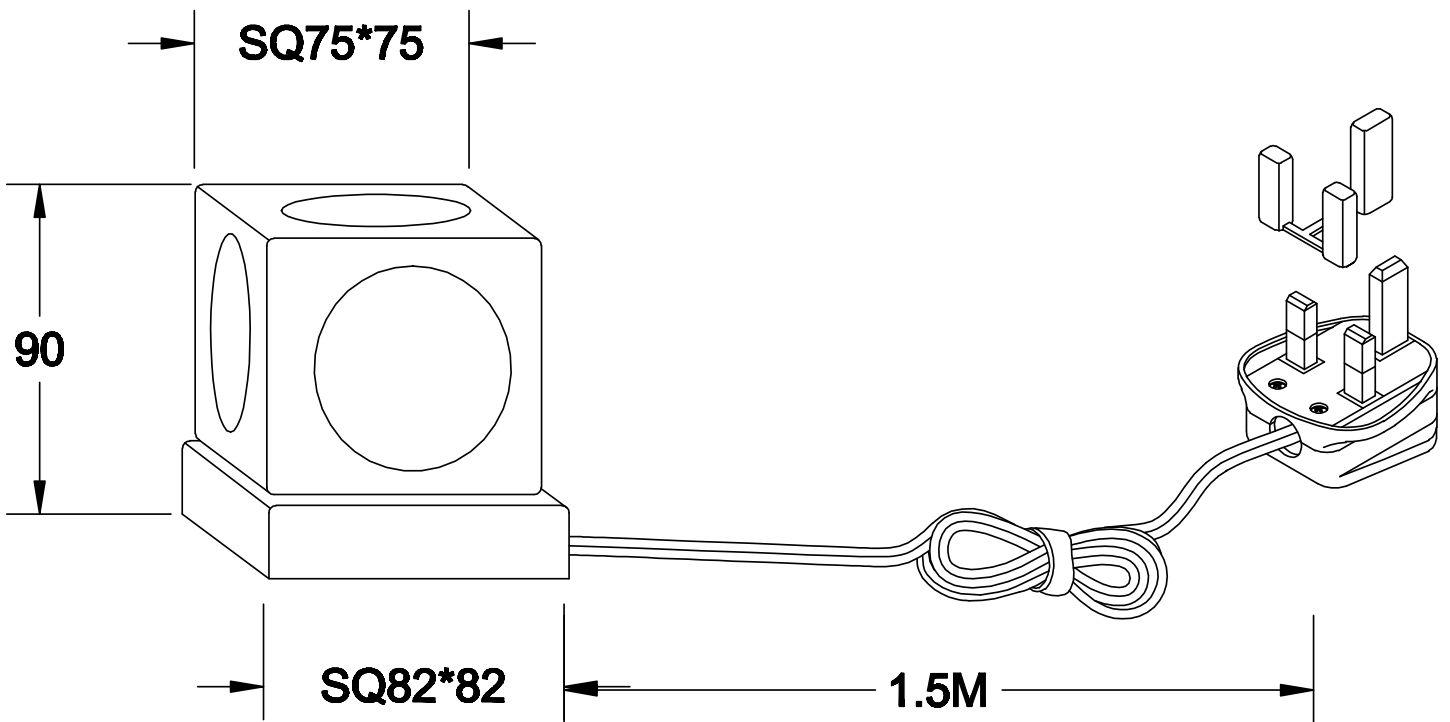
W: www.firstchoicelighting.co.uk

E: info@firstchoicelighting.co.uk

ICE CUBE

FCL-57752

firstchoicelighting



CERTIFICATION



CONTACT

W: www.firstchoicelighting.co.uk

E: info@firstchoicelighting.co.uk

ISSUE DATE 19/07/2019

PAGE 2