



LIGHT SOURCE DATA

- 3 x 25W max G9 Halogen
- Dimmable
- Voltage: 240V

DIMENSION DATA

- Height: 270mm Diameter: 320mm
- Weight: .85kg

SPECIFICATION

- 1 Year year warranty
- Steel & glass
- Polished chrome plate & clear glass shade
- IP20

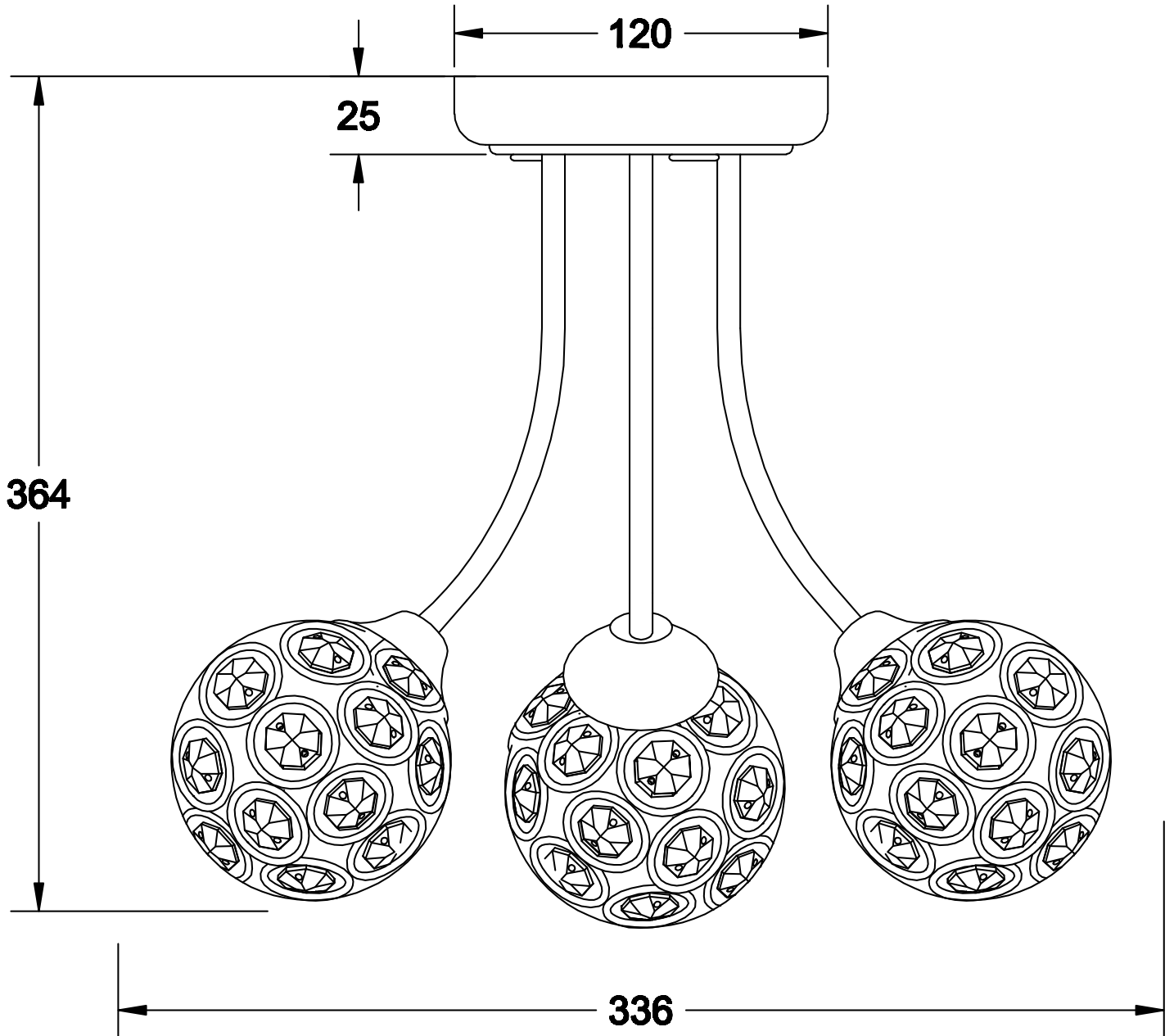
CERTIFICATION



CONTACT

W: www.firstchoicelighting.co.uk

E: info@firstchoicelighting.co.uk



CERTIFICATION



CONTACT

W: www.firstchoicelighting.co.uk

E: info@firstchoicelighting.co.uk